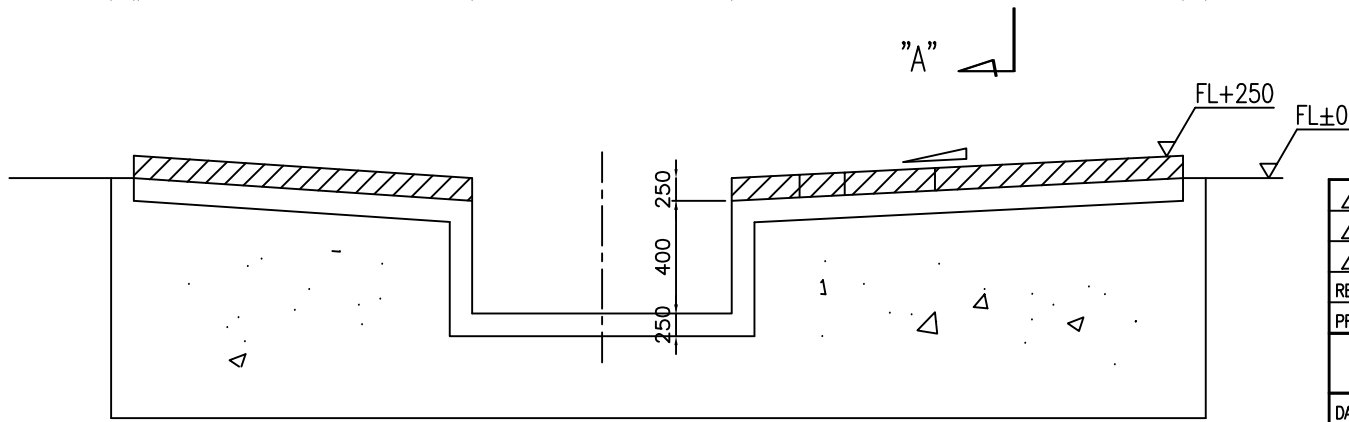



SECTION "A"-"A"



3						
2						
1						
REV	DATE	DESCRIPTION OF REVISION	DRAWN	CHK'D	REV'D	APP'D
PROJECT NAME : PORTABLE AUTOMATIC TIRE WASHER						
			DONG-WOO CORPORATION			
DATE : '00, 08		SCALE :	1/50	PROJECTION		
DRAWN : J.L.KIM		EQUIPMENT NO.	DW - SG03			
CHE'D :		FOUNDATION(LONG)				
APP'D :		DWG. NO.	DW-SG03-00-02			
CHE'D :		CONT. NO.	□□□□□□□□□□			

DEVICE NAME	
CAD NO.	08-00-00